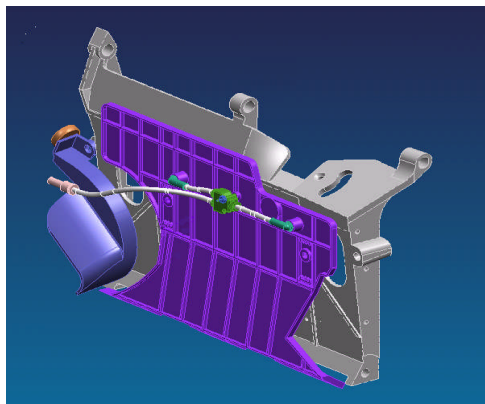


## Packaging Center Enhancement

### Pocket Upgrade for Reduced Web Width Products



Many newspapers are taking advantage of the opportunities to decrease costs by reducing their page sizes. The reduction in page sizes can create issues, and decrease efficiency of the Inserters as well as other components in the packaging center. As a result of the decrease in product size, Goss International has developed a solution to modify the Inserter pockets.

The new Pocket Upgrade allows the inserters to operate and open jackets that are 12" wide. The Pocket Upgrade Kit positions the 12" product for consistent operation utilizing either lap or vacuum opening techniques, thus increasing efficiency of the inserter.

The pocket enhancement utilizes some of the latest designs used in the newer inserters, such as upgraded reflectors in the movable wall, and complete redesign of the inside jogger

*Additional parts needed for NP1372, NP648, NP48P and some NP1472 Inserters without the SM12D144 movable pocket wall*

#### Features

- Complete new design of the inside jogger & movable wall
- Movable wall with upgraded reflector
- Additional and repositioned sucker cup in movable wall
- Vacuum plumbing included
- Easy installation

#### Operational benefits

- More consistent operation
- Allows for operation with 12" wide product
- Reduced maintenance

#### Contact:

**1 800 323-1200** (follow prompts for Aftermarket)  
**1 603 749-6600** (Ask for Rebuild & Enhancements)  
[www.gossinternational.com](http://www.gossinternational.com)